

Complete Press Drives **GOIZPER**

Complete Press Drives
for Power Transmission Solutions

Proven Technology – from Goizper

GOIZPER Press Drives are now available as COMPLETE solutions, in a variety of different assembly types, ranging from 6.000Nm to 200.000Nm.

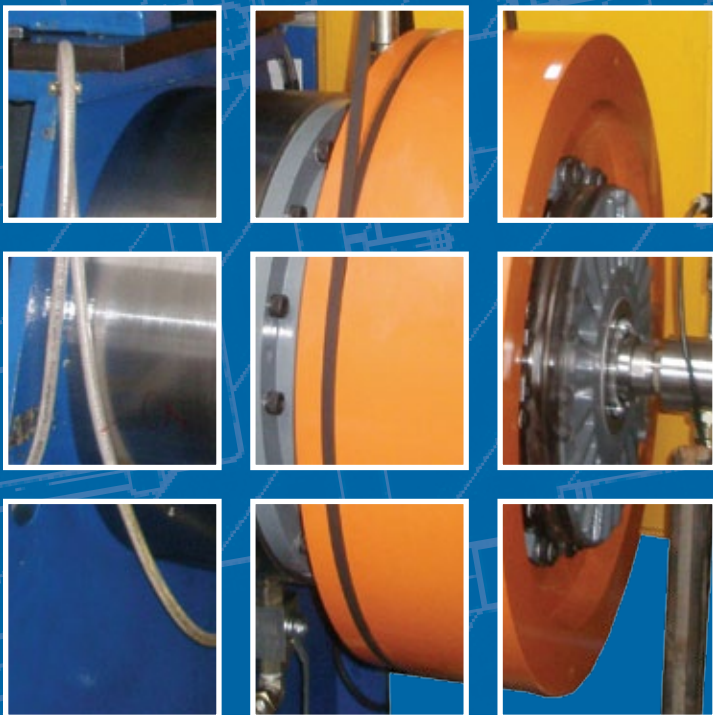
NEW
Now available
in the USA

Every Solution is a Custom Solution

GOIZPER Press Drives are designed in a wide range of sizes and can be adapted to your specific solution. GOIZPER provides computerized application engineering and retrofit assistance – with a highly flexible approach to optimizing our design to your needs.



Planetary Gear Set • Flywheel • Clutch-Brake



IN ONE ASSEMBLY



TORQUE TECHNOLOGIES INC.

TORQUE TECHNOLOGIES, INC.

Exclusive U.S. Distributor of
GOIZPER Clutches & Brakes

GOIZPER

Grasa de rodamientos
UNIREX N3

Locking a
TAS 302/
Tightenir
Trans. tr

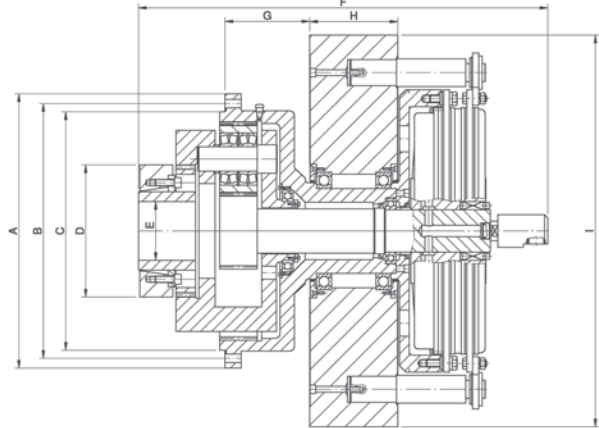
BOLTS M16 10.9
Ma = 310 Nm
Locked with Loctite 243

Complete Press Drives

GOIZPER



Proven Technology – from GOIZPER
GOIZPER Press Drives are now available as COMPLETE solutions, in a variety of different assembly types, ranging from 6.000Nm to 200.000Nm.



Every Solution is a Custom Solution
GOIZPER provides a highly flexible approach to optimizing our designs to meet your needs. In addition to the sizes shown in the chart, we have many other models available. Our computerized application engineering and retrofit assistance enables you to find the GOIZPER Press Drive for your specific solution.

CPD	Torque (Nm)	I	Output max speed (rpm)	Connecting diam. (mm)	Shaft diam. (mm)	Clutchbrake			
						C-torque (Nm)	Pressure (bar)	B-torque (Nm)	Ref.
CPD-6/4	6500	4	438	320	100	1645	5,5	860	57 13 912
CPD-6/6	6500	6	292	320	100	1235	5	1030	57 13
CPD-6/8	6500	8	281	320	100	805	5,5	385	57 50 912
CPD-10/4	10000	4	363	380	110	2760	5,5	1960	57 18
CPD-10/6	10000	6	292	380	110	1645	5,5	860	57 13 912
CPD-10/8	10000	8	219	380	110	1235	5	1030	57 13
CPD-15/4	15000	4	363	430	120	4080	5,5	1870	57 19N 913
CPD-15/6	15000	6	242	430	120	2760	5,5	1960	57 18
CPD-15/8	15000	8	219	430	120	1995	5,5	515	57 13 914
CPD-20/4	20000	4	325	470	125	5225	5,5	2985	57 25N 912
CPD-20/6	20000	6	217	470	125	4030	5	2820	57 25N
CPD-20/8	20000	8	181	470	125	2760	5,5	1960	57 18
CPD-25/4	25000	4	300	510	130	6410	5,5	3380	57 36 912
CPD-25/6	25000	6	221	510	130	4785	5,5	3410	57 25N
CPD-25/8	25000	8	181	510	130	3170	5,5	2495	57 19N
CPD-32/4	32000	4	300	545	140	7965	5,5	3585	57 37N 913
CPD-32/6	32000	6	200	545	140	5710	5,5	4060	57 36
CPD-32/8	32000	8	163	545	140	4785	5,5	3410	57 25N
CPD-40/4	40000	4	250	580	150	10500	5,5	7000	57 55 912
CPD-40/6	40000	6	200	580	150	6720	5,5	4780	57 37N
CPD-40/8	40000	8	150	580	150	5660	5	4780	57 37N
CPD-50/4	50000	4	225	615	160	13400	5,5	10000	57 75
CPD-50/6	50000	6	167	615	160	9500	5,5	8000	57 55
CPD-50/8	50000	8	150	615	160	6720	5,5	4780	57 37N
CPD-65/4	65000	4	225	650	170	16000	5,5	7500	57 75 913
CPD-65/6	65000	6	167	650	170	11600	5,5	6000	57 55 913
CPD-65/8	65000	8	125	650	170	7900	5	8000	57 55
CPD-80/4	80000	4	200	690	180	21400	5,5	13500	57 76 912
CPD-80/6	80000	6	150	690	180	13400	5,5	10000	57 75
CPD-80/8	80000	8	125	690	180	10500	5,5	7000	57 55 912
CPD-100/4	100000	4	200	730	190	25300	5,5	9900	57 76 913
CPD-100/6	100000	6	133	730	190	15900	5	15800	57 76
CPD-100/8	100000	8	113	730	190	13400	5,5	10000	57 75
CPD-125/4	125000	4	188	775	205	32900	5,5	17100	57 77 912
CPD-125/6	125000	6	133	775	205	21400	5,5	13500	57 76 912
CPD-125/8	125000	8	100	775	205	15900	5	15800	57 76
CPD-160/4	160000	4	188	820	220	40000	5,5	10250	57 77 914
CPD-160/6	160000	6	125	820	220	29300	5,5	20500	57 77
CPD-160/8	160000	8	100	820	220	21400	5,5	13500	57 76 912
CPD-200/4	200000	4	175	870	230	53400	5,5	13800	57 78 914
CPD-200/6	200000	6	125	870	230	36500	5,5	13700	57 77 913
CPD-200/8	200000	8	94	870	230	24700	5	20500	57 77

